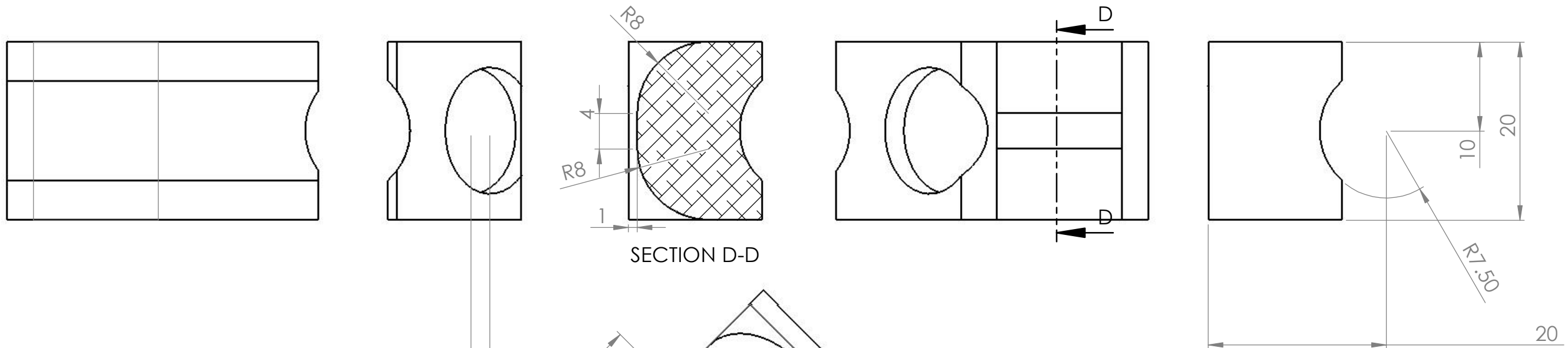


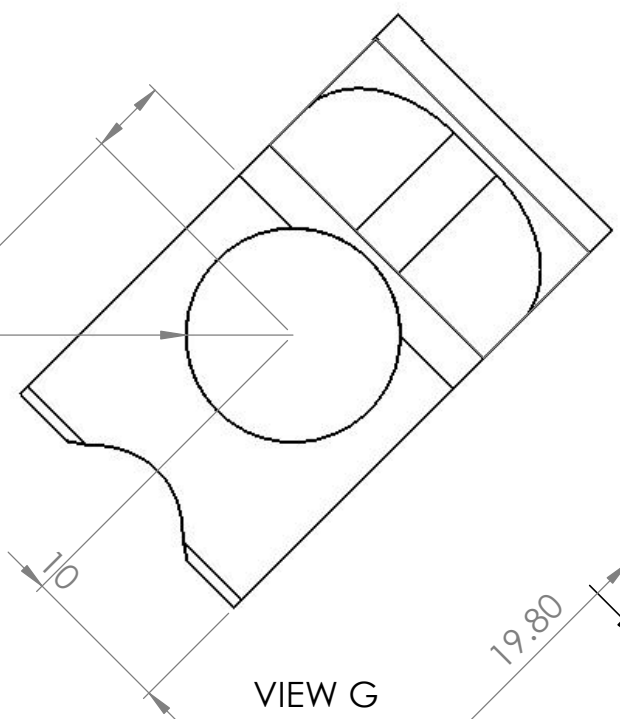
8 7 6 5 4 3 2 1

F  
E  
D  
C  
B  
A

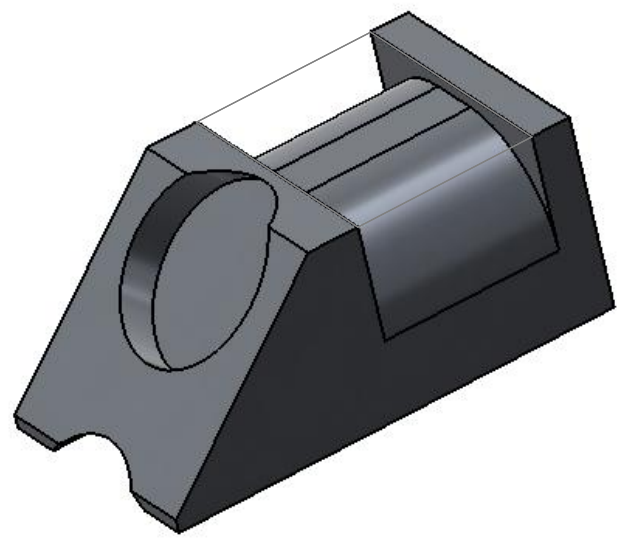
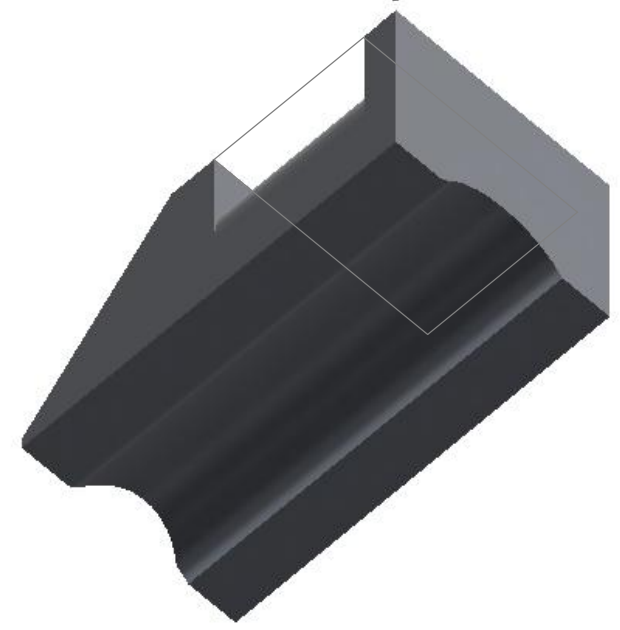
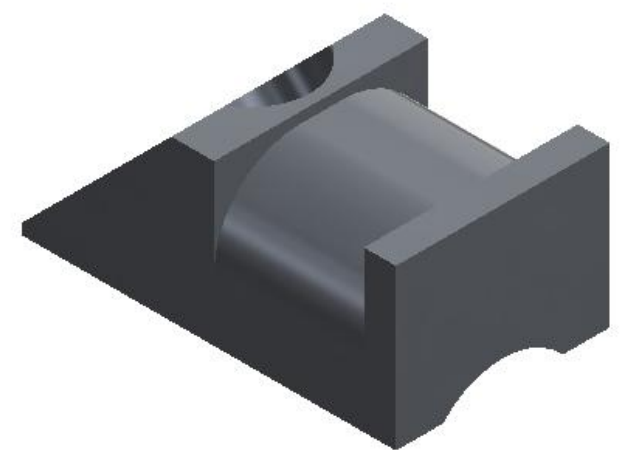
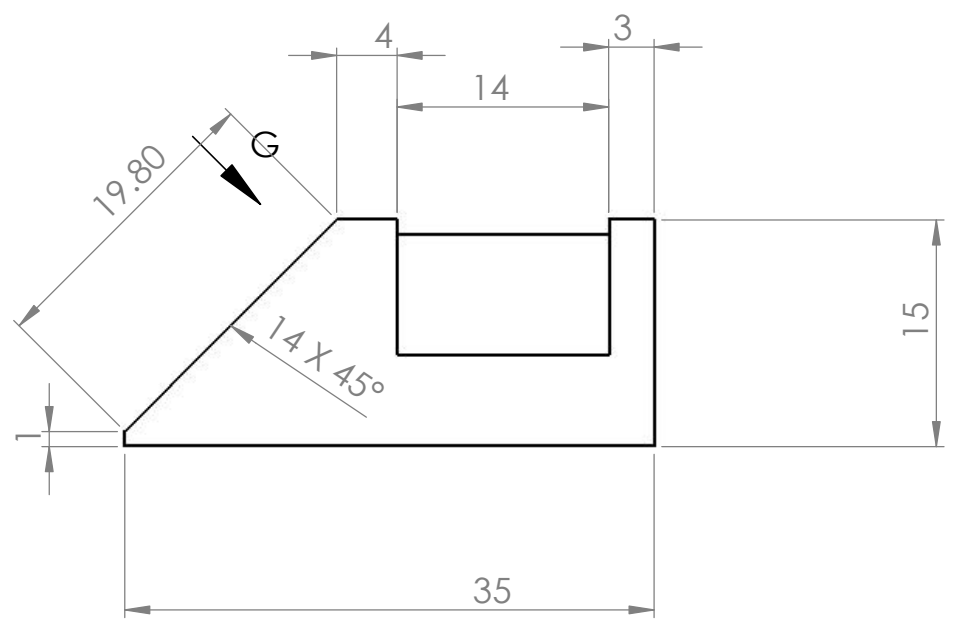


(Depth Of Holder)  
2.12

R7.10  
 $\phi 14.2 \pm 0.1$  mm



VIEW G

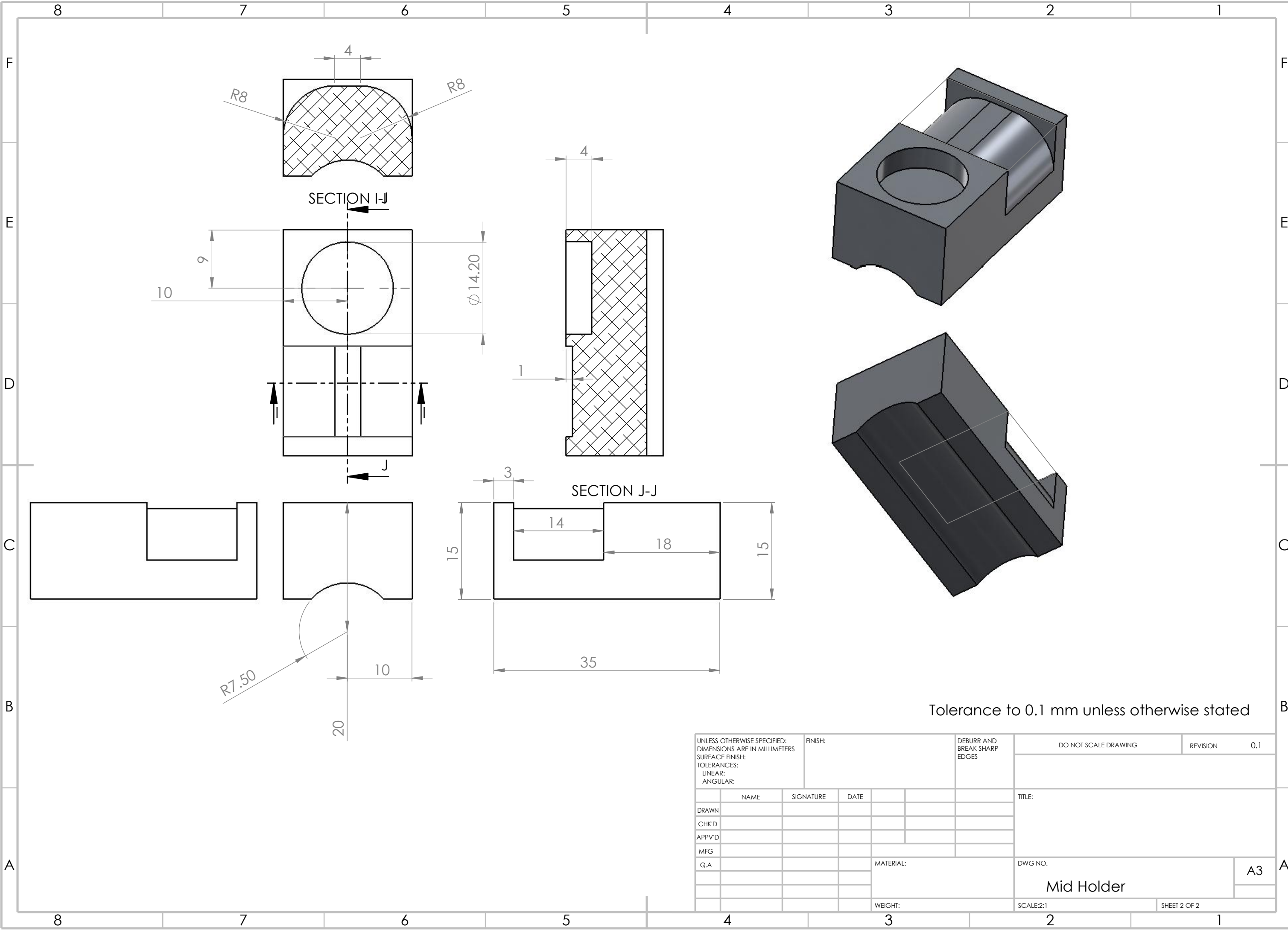


Tolerance to 0.1 mm unless otherwise stated

UNLESS OTHERWISE SPECIFIED: DIMENSIONS ARE IN MILLIMETERS SURFACE FINISH: TOLERANCES: LINEAR: ANGULAR:			FINISH:		DEBURR AND BREAK SHARP EDGES		DO NOT SCALE DRAWING		REVISION 0.1		
DRAWN			NAME		SIGNATURE		DATE		TITLE:		
CHK'D											
APPV'D											
MFG											
Q.A							MATERIAL:		DWG NO.		
									End Holder		
							WEIGHT:		SCALE:2:1		
									SHEET 1 OF 2		

8 7 6 5 4 3 2 1

F  
E  
D  
C  
B  
A



Tolerance to 0.1 mm unless otherwise stated

UNLESS OTHERWISE SPECIFIED: DIMENSIONS ARE IN MILLIMETERS		FINISH:		DEBURR AND BREAK SHARP EDGES		DO NOT SCALE DRAWING		REVISION 0.1	
SURFACE FINISH:									
TOLERANCES:									
LINEAR:									
ANGULAR:									
DRAWN		NAME	SIGNATURE	DATE			TITLE:		
CHK'D									
APPV'D									
MFG									
Q.A					MATERIAL:		DWG NO.		A3
							Mid Holder		
					WEIGHT:		SCALE:2:1		SHEET 2 OF 2